

No. **40** ST

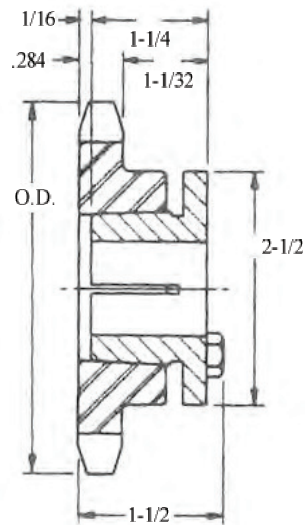
1/2 PITCH, NOMINAL 0.284"



Single - Split Taper Sprockets - With Hardened Teeth

Part No.	No. of Teeth	Diameters		Wgt. Lbs.	Part No.	No. of Teeth	Diameters		Wgt. Lbs.
		Outside	Pitch				Outside	Pitch	
40H15H	15	2.650	2.405	0.50	40H27H	27	4.580	4.307	1.45
40H16H	16	2.810	2.563	0.60	40H28H	28	4.740	4.466	1.50
40H17H	17	2.980	2.721	0.65	40H29H	29	4.900	4.625	1.55
40H18H	18	3.140	2.879	0.70	40H30H	30	5.060	4.873	1.60
40H19H	19	3.300	3.038	0.80	40H32H	32	5.380	5.101	1.80
40H20H	20	3.460	3.196	0.85	40H33H	33	5.540	5.260	1.90
40H21H	21	3.620	3.355	0.90	40H34H	34	5.700	5.419	2.00
40H22H	22	3.780	3.513	0.95	40H35H	35	5.860	5.578	2.10
40H23H	23	3.940	3.672	1.00	40H36H	36	6.020	5.737	2.30
40H24H	24	4.100	3.831	1.20	40H38H	38	6.330	6.055	2.60
40H25H	25	4.260	3.989	1.30	40H40H	40	6.650	6.373	2.80
40H26H	26	4.420	4.148	1.40					

* All sprockets above fit the H bushing, max. bore 1-1/2.



H - BUSHING